

INSTRUCTION SHEET FOR SET #5.4115

Read this instruction sheet thoroughly before initiating any work!

It is recommended that if you are unfamiliar with this type of work that you refer to a qualified service center specializing in this type of work. It is also recommended that if you choose to do this work yourself that a factory service manual be obtained for the proper procedures pertaining to removal, replacement and proper torque specifications for your vehicle. This instruction set is intended as a guideline for the safe installation of Energy Suspension's polyurethane bushings, once you have removed the factory components from your vehicle. Wheel alignment is almost always disturbed when suspension components are removed or replaced. It is recommended that you have the alignment checked on your vehicle at a qualified alignment shop. Energy Suspension recommends that you read over all the installation instructions and check all P/N's and quantities in the parts list before you start. Call customer service at 949-361-3935 if the parts in your kit do not match this parts list. Prior to installation, make sure that your car is in excellent mechanical condition and that there are no suspension or steering related problems. This part has been designed to work only with a car that is in good state of repair. No matter how carefully we design our parts, this is one area we have no control over and cannot be held responsible.

REMOVAL

NOTE: Be sure on disassembly to note the quantity and positions of any shims that may have been inserted for body alignment. These shims will have to be reused to insure proper body alignment. Install mounts one side at a time with bolts on other side loosened only. Remove bolts of mounts from under side cab one side at a time, leave other side loose. Remove OEM bushings and note the shape and orientation of the alignment inserts. Reinstall with new bushings supplied. Tighten all bolts to factory specifications. 60 ft-lbs (81N-m)

Parts list:

- 4 - 4315 POSITION 2&4 UPPER
- 4 - 4317 POSITION 2&4 LOWER
- 4 - 4318 POSITION 1&3 UPPER
- 4 - 4319 POSITION 1&3 LOWER
- 8 - 15.03.138.39 3.500" x .563" x .120" WASHER
- 8 - 15.03.11.39 3.000" x .565" x .125" WASHER
- 8 - 15.03.36.39 1.750" x .500" x .125" WASHER
- 8 - 15.10.515.39 1.123" x .640" x 2.563" SLEEVE
- 8 - 15.05.89.40 M12 x 1.75 x 100mm BOLT
- 1 - 17593 INSTRUCTIONS

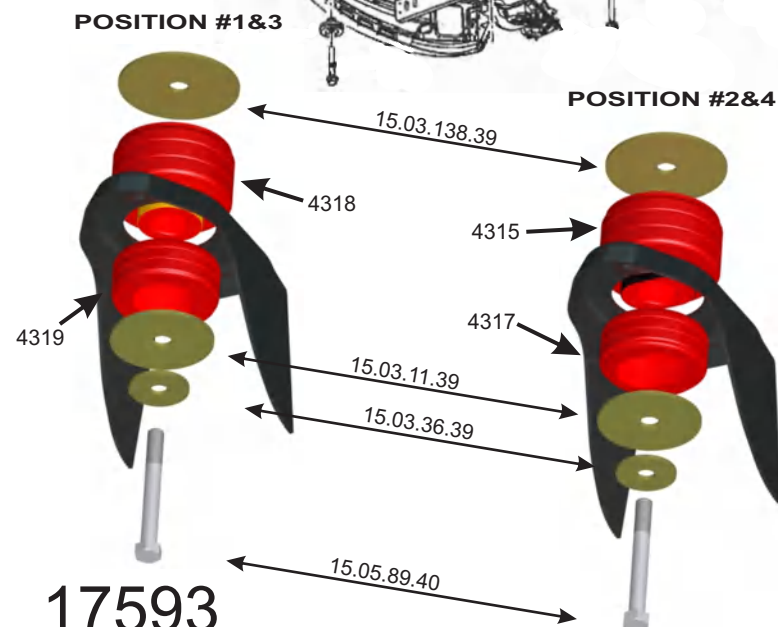
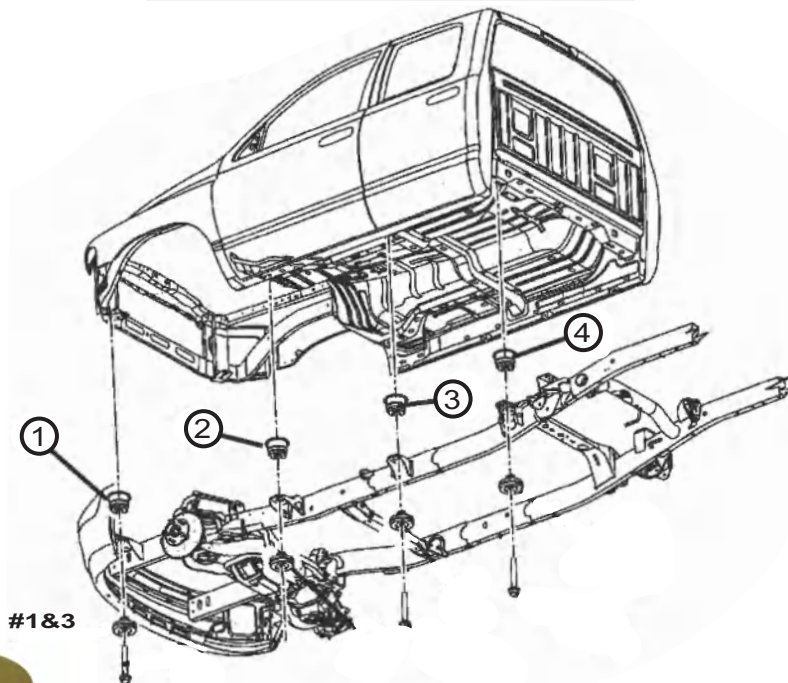


ENERGY
SUSPENSION 

1131 VIA CALLEJON, SAN CLEMENTE, CA 92673

© 2012 Energy Suspension. All rights reserved.

May not be reproduced, in any form, or by any means, without the written consent of Energy Suspension.



17593

19/OCT/12 BEL